

2553-A 2-Channel Isolated Mag Meter Input Module



Description

The 2553-A 2-Channel Mag Meter Input Module rapidly measures the frequency of a magnetic pulse tachometer with high resolution. It is designed to be compatible with the CTI 2500 Series™ or Simatic® 505 I/O base in local, remote I/O, and Profibus configurations.

Fast update time and high accuracy across the full frequency specification make the 2553-A ideal for gas turbine speed measurement applications.

Features

- Reflex counter
- N-tooth mode counting
- 1500 VDC isolation channel-to-channel
- 1500 VDC isolation channel-to-backplane
- Reports measurement in frequency or period

Specifications

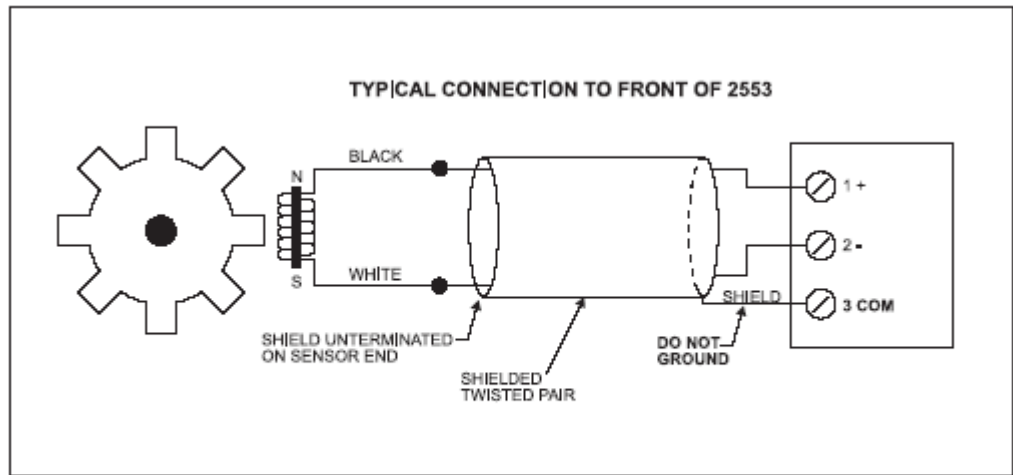
Channels: 2 Isolated RTD input
Input Voltage Range: 140 mV to 50 VRMS (differential input into 10 Kohm)
200 mV to 70 V Peak
Input Frequency Range: 78 Hz to 65 KHz
Frequency Roll-Off: 3 dB at 20 KHz
6 dB per octave
Input Protection: 50 VRMS continuous
20,000 Volts ESD
Digital Filtering: User-selectable
(50 mS Time Constant)
Update Time: 7 mSec for all channels
Accuracy: ±1 Hz
Isolation: 1500 VDC channel-to-channel
1500 VDC channel-to-PLC
Connector: Removable
Wire Gauge: 12 -26 AWG
Backplane Power: 2.5 Watts @ +5 VDC
Module Size: Single-wide
Operating Temperature:
0° to 60°C (32° to 140°F)
Storage Temperature:
-40° to 85°C (-40° to 185°F)
Relative Humidity:
5% to 95% (non-condensing)
Shipping Weight: 1.5 lbs (0.68 Kg)
Agency Approvals: UL, UL-C,
FM (Class I, Div 2), CE



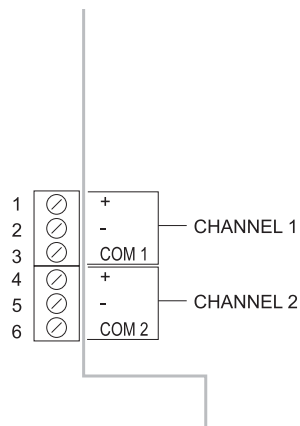
Control Technology Inc.

5734 Middlebrook Pike, Knoxville, TN 37921-5962

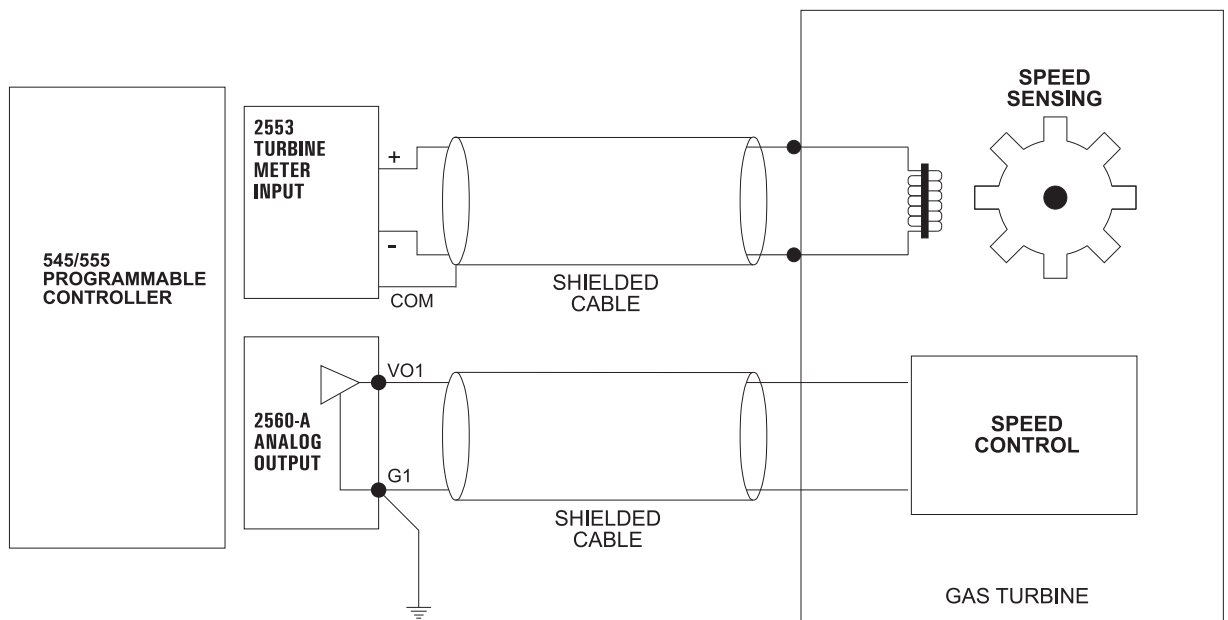
Phone: 865/584-0440 Fax: 865/584-5720 www.controltechnology.com



Typical Sensor Wiring Diagram



2553-A Connector Diagram



Closed Loop Control Application