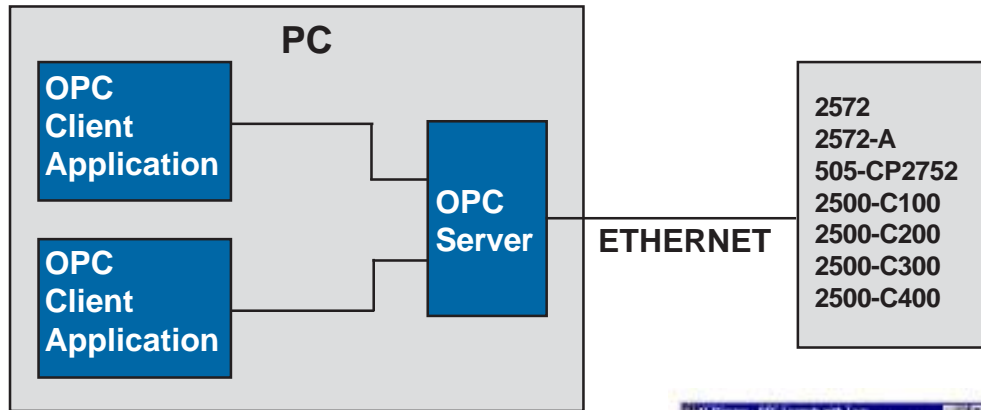


2572-OPC Ethernet OPC Server



Description

The 2572-OPC Ethernet OPC Server provides data exchange between OPC clients and CTI 2500 Series™ or Simatic® 505 PLCs using the CTI 2572 or 2572-A Ethernet modules, or directly into the on-board ethernet port of 2500 Series™ Processors. The server automatically optimizes data acquisitions based on client demand and includes extensive error handling to ensure data integrity.

Features

- Communicates with CTI 2572, 2572-A, 505-CP2572 modules
- Communicates with all CTI 2500 Series™ Processors
- Supports OPC 1.0 and 2.0 Data Access Specifications
- Multi-threaded design insures optimum performance
- Full Time On-line operation allows on the fly changes
- Built-in diagnostic system with protocol display
- CSV file import and export of Server Tags for easy configuration on large projects
- Includes OPC 2.0 Automation Interface and comprehensive Visual Basic examples

Protocols and Variable Types Supported

- CAMP Protocol
- UDP and TCP/IP
- All PLC memory types including Drums, Alarms, and Loops
- Simultaneous device connections for improved performance
- All data types
- Supports accessing V memory as string data with HiLo/LoHi byte ordering



Control Technology Inc.

5734 Middlebrook Pike, Knoxville, TN 37921-5962
Phone: 865/584-0440 Fax: 865/584-5720 www.controltechnology.com

06MAY09