



2500C-8-AO Analog Output Module



DESCRIPTION

The 2500C-8-AO is an 8 analog output module. Designed for CTI's 2500 Series Compact System. The module provides 8 outputs that can be configured for voltage or current signals on a channel by channel basis.

FEATURES

- 8 analog outputs
- Supports Classic and Classic Plus Modes
- Supports Hot Swapping
- 7 Segment Display for Module Status indication
- No user calibration
- Outputs voltage or current signals
- Supports bipolar or unipolar ranges
- Software Configurable Range Selection
- Uses removable connector 2500C-32F

Modules ship in Classic Mode Default Configuration: 0-20mA Current Mode, Unipolar, Digital Filtering Enabled, offset scaling disabled.

2500-8-AO Default Shipment Settings	
Operation Mode	Classic Mode
Logon	8WY
Signal Range	0 to 20 mA
Digital Filtering	Enabled
Offset Scaling	Disabled

Output Specifications		
Operation Mode Support (See Note 1)	Classic Mode	Classic Plus Mode
8 Analog Output Channels	Supported	Supported
Module Logon	8WY	8WX/16WY
Module Response Time		
Signal Range(Note 2):		
Unipolar Ranges	0 to 5.12 VDC, 0 to 20.24 mA	0 to 10.24 VDC, 0 to 5.12 VDC, 0 to 20.24 mA
Bipolar Ranges	NA	+/- 5.12 VDC +/- 10.24 VDC +/- 20.24 mA

Resolution (15 bits plus sign)	
0 to +5.12 VDC or +/- 5.12 VDC	156µV per bit
0 to +10 VDC or +/-10VDC	312.50µV per bit
0 to +20mA or +/-20mA	625µA per bit

	Current Mode	Voltage Mode
Accuracy 0° to 60 °C Voltage Mode	◦	◦
Accuracy 0° to 60° C Current Mode	◦	◦
Load Resistance (See Note 2)	Min - 250Ω Max - 1kΩ	Min - 1kΩ Max - 0Ω

User supplied Loop Power	20 to 30VDC @ 0.50 Amps max Maximum Ripple of 0.4V
Backplane Power (MAX)	.312 watts
Input ESD Protection	IEC 1000-4-2 level 4
Isolation	24VDC IN - 500VDC
Connector	2500C-32F
Agency Approvals Pending	UL, ULC, UL Class 1, Div 2, CE
Shipping Dimensions and Weight	223.84mm x 109.86mm x 34.93mm, 0.234kg

Note 1:	Classic or Classic Plus modes are jumper selectable for the module.
Note 2:	In current mode for 600Ωto 1KΩ load user must have a 24V to 30 V Power Supply.



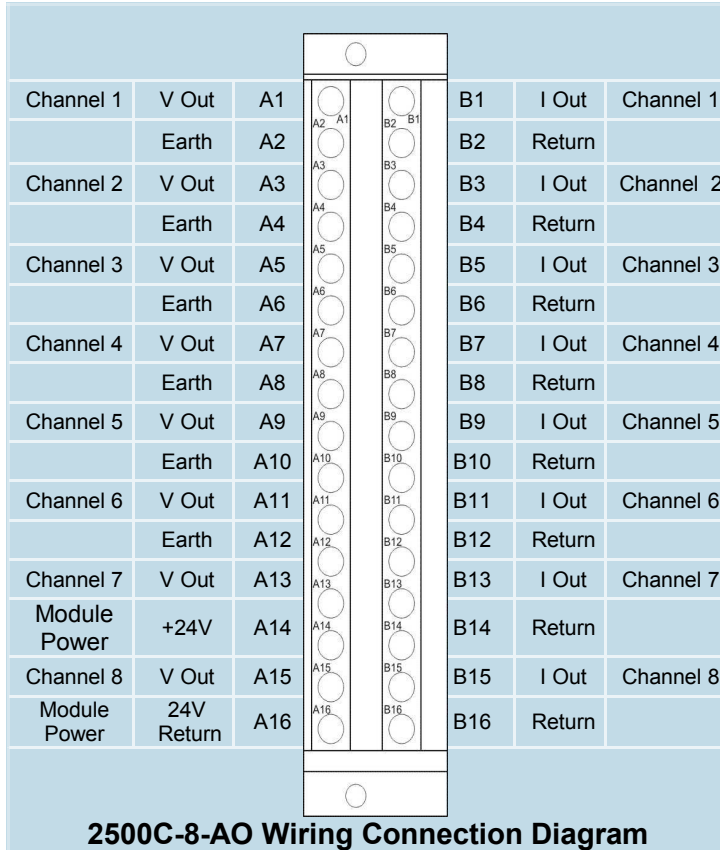
Control Technology Inc.

5734 Middlebrook Pike, Knoxville, TN 37921-5962
Phone: +1.865.584.0440 Fax: +1.865.584.5720
www.controltechnology.com



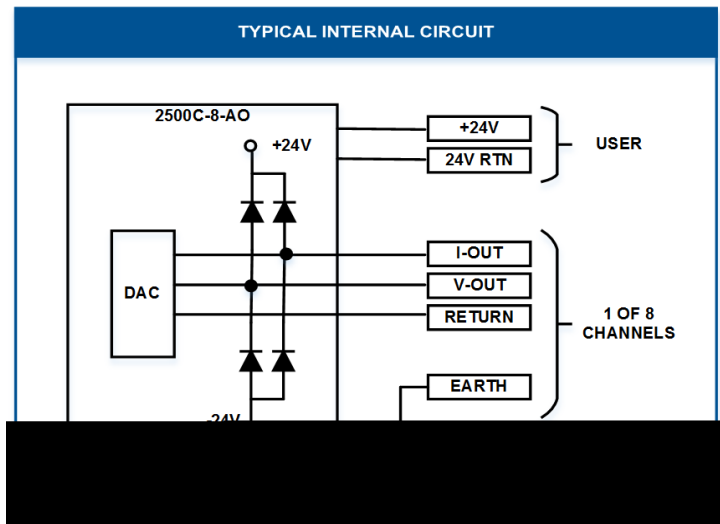


2500C-8-AO Analog Output Module



Note:
The 2500C-8-AO Analog Output Module uses CTI Wiring Connector 2500C-32F. Please see the wiring connector specification table below. This connector is ordered separately from the module.

2500C-32F Specifications	
Connector Style	Removable
Number of Wiring Connections	32 point
Wire Gauge	14 to 22AWG
Screw Torque Value	5.22 lb-in
Current Rating	6A @ 300VAC
Insulation Stripping Length	0.24" 6mm
Connector Material	
Body:	Polycarbonate UL 94V0
Screw :	M3 Zinc plated Steel
Cage Clamp	Nickel Plated Brass
Socket Contact Spring:	Tin Plated Bronze
Retaining Screw:	M3 Zinc Plated Steel



Control Technology Inc.

5734 Middlebrook Pike, Knoxville, TN 37921-5962
Phone: +1.865.584.0440 Fax: +1.865.584.5720
www.controltechnology.com

