

2530 8-Point Form-C Relay Output Module



Description

The 2530 8-Point Relay Contact Module provides eight isolated "Form C" relay outputs for the CTI 2500 Series® or Simatic® 505 I/O base. The 2530 is designed for high current applications such as switching motor starters.

The 2530 is also designed for 125 VDC (nominal) low level current applications. This module is especially suited for applications in power utility stations.

Features

- 8 individually isolated "Form C" relay outputs
- Up to 4 amps per output
- 1500V channel-to-PLCbackplane isolation
- Switches 125 VDC (ideal for power utility substation applications)
- Single-wide module
- CTI 2500 Series® base format

Specifications

Outputs per module: 8

Isolation: 1500 VDC channel-to-backplane

1500 VDC channel-to-channel

Load voltage: 15 - 240 VAC
15 - 150 VDC

Indicators: 8 individual LEDs

Maximum output current:

15VAC - 240VAC: 4A

15VDC - 30VDC: 4A

150VDC:

Resistive: 1mA - 500mA

Inductive: 1mA - 250mA

Switching rate: 5 ops/sec (no load)

Type of contact: Form C

Type of outputs: Individually fused

Contact life:

@ full rated current, 4A = 200,000 cycles

@ 2A = 1,000,000 cycles

Backplane Power: 1.0 Watt

User Power Supply: 24VDC \pm 10% 160 mA (all outputs ON) Fuse F9 for the user supplied 24VDC, 1 amp, 250V Fast-Blow 5x20mm: MFG: Littelfuse P/N: 0217001.HXP ,field replaceable



Channel Fuses: F1 thru F8, 5 amp, 250V Slow-Blow 5x20mm :MFG: Littelfuse P/N 215005, field replaceable. DO NOT REPLACE UNDER POWER.

Connector: Removable (New installations require a 2500-40F wiring connector)

Wire Gauge: 14 - 22 AWG

Module Size: Single wide

Shipping Weight: 1.8 lb. (0.82 Kg)

Additional Product Information:

On CTI's Website you will find links to the 2500 Series Std Environmental Specifications and the UL Agency Certificates of Compliance .

ROCK SOLID PERFORMANCE. TIMELESS COMPATIBILITY.



Control Technology Inc.

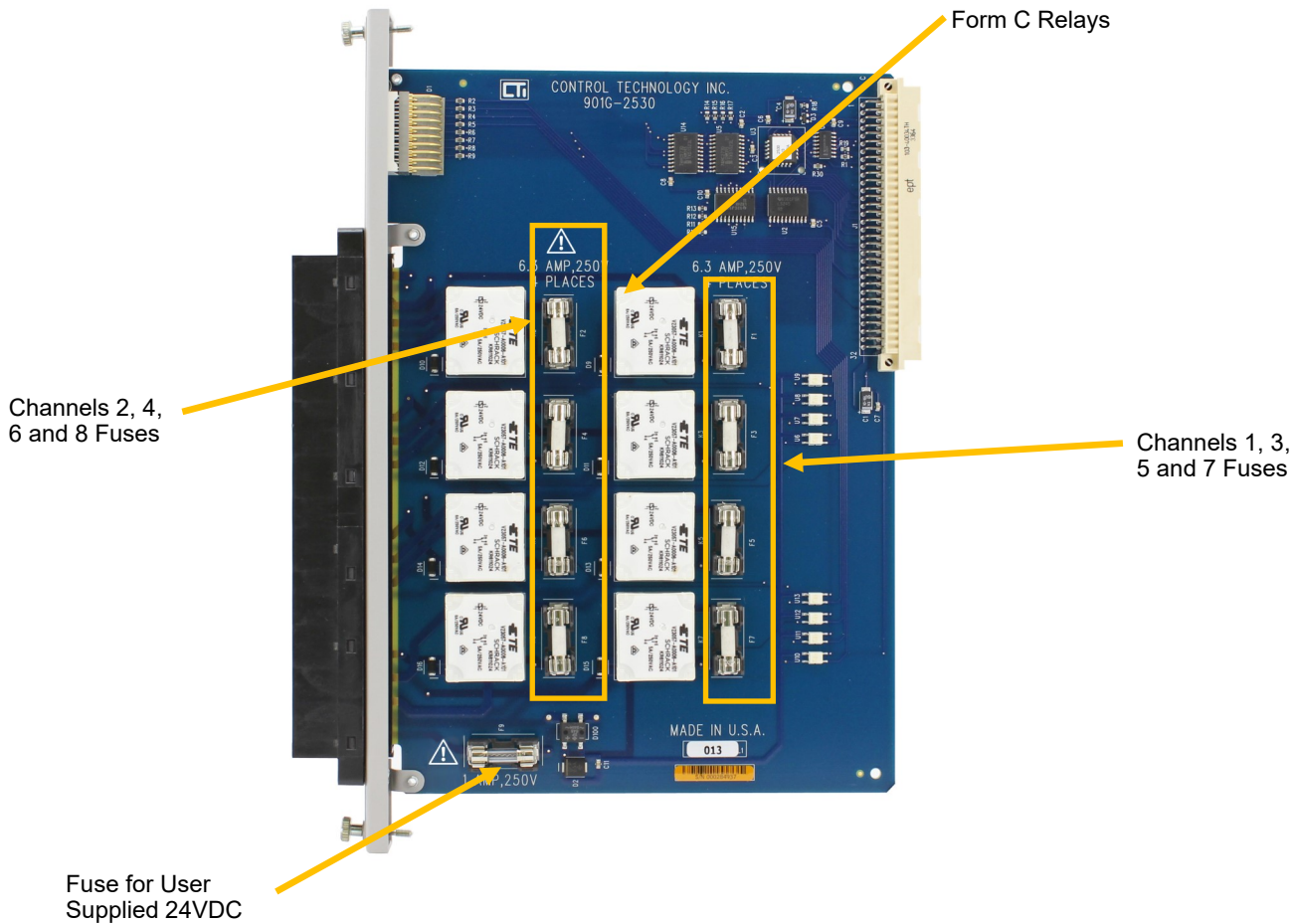
5734 Middlebrook Pike, Knoxville, TN 37921-5962

Phone: +1.865.584.0440 Fax: +1.865.584.5720

www.controltechnology.com

2530 8-Point Form-C Relay

2530 Component Layout



CAUTION – Non-Hazardous Areas/Hazardous Areas

WARNING – EXPLOSION HAZARD. DO NOT REMOVE OR REPLACE WHILE CIRCUIT IS LIVE UNLESS THE AREA IS FREE OF IGNITIBLE CONCENTRATIONS.

AVERTISSEMENT – RISQUE D'EXPLOSION. NE PAS RETIRER NI REMPLACER PENDANT QUE LE CIRCUIT EST SOUS TENSION À MOINS QUE L'EMPLACEMENT NE SOIT EXEMPT DE CONCENTRATIONS INFLAMMABLES.

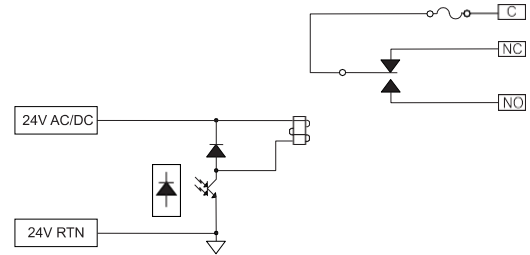
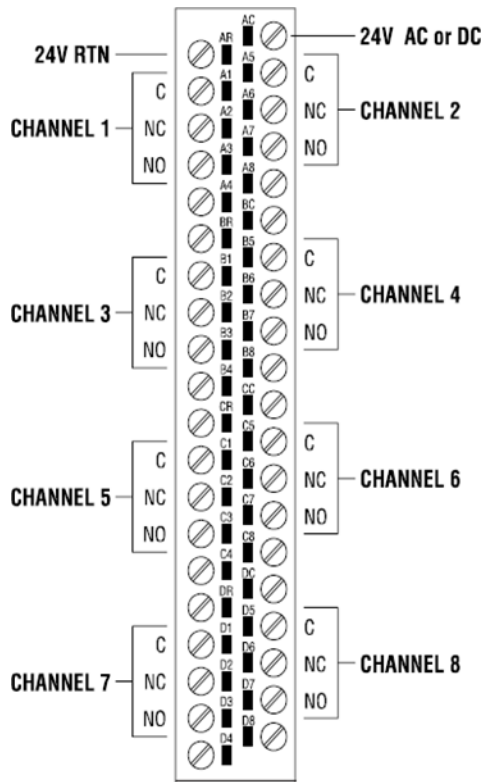
WARNING – EXPLOSION HAZARD. DO NOT REMOVE OR REPLACE FUSE WHEN ENERGIZED.

AVERTISSEMENT – RISQUE D'EXPLOSION. NE PAS RETIRER NI REMPLACER UN FUSIBLE SI L'APPAREILLAGE EST SOUS TENSION.

Turn off power to the system before replacing fuses either in power supplies or IO modules. Refer to Product Bulletin or Installation and Operation Guide for specific information on the correct fuse for replacement. If there are any questions please contact CTI support. Fuses should only be replaced by qualified technicians.

ROCK SOLID PERFORMANCE. TIMELESS COMPATIBILITY.

2530 8-Point Form-C Relay



Typical Internal Circuit

2530 Connector Pin Out

RECOMMENDATION:

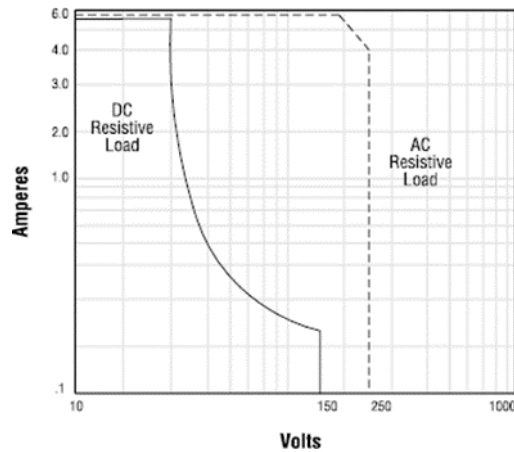
It is recommended to inspect the sealed relay device periodically and to check for any degradation of the materials and to replace the complete product if any degradation is found.

WARNING:

The module must not be inserted into the I/O rack while rack power is applied.

WARNING:

Exposure to some chemicals may degrade the sealing properties of materials used in the Sealed Relay Device



2530 Switching Capacity

ROCK SOLID PERFORMANCE. TIMELESS COMPATIBILITY.