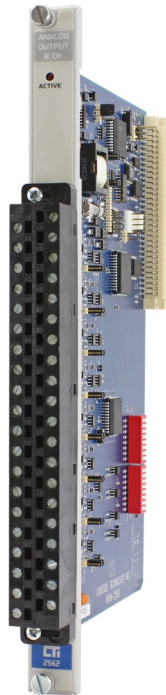


# 2562 8-Channel Analog Output Module



## Description

The 2562 is a low-cost, high-speed, 8-channel analog output module designed to be compatible with the CTI Series 2500® and the SIMATIC® 505 programmable controller I/O base. The 2562 translates digital words from the controller into equivalent analog outputs. The 2562 is fully compatible with all versions of CTI Series 2500® CPUs and the SIMATIC® 545 and 555 PLCs.

## Features

- CTI Series 2500® base format
- Replaces Siemens® 505-6208 with no rewiring
- 8 analog output channels
- 1500V channel-to-PLC backplane isolation
- Fast 4 mSec update time for all channels
- 12 bits of resolution
- Voltage and current outputs available simultaneously
- Bipolar or Unipolar outputs per channel
- Single-wide module

## Specifications

**Output channels:** 8 analog output channels

### Response Time:

4 mSec total module (includes settling time)

### Output Range:

Unipolar: 0 to +5.12 VDC

0 to +10.24 VDC,

0 to +20 mA

Bipolar: - 5.12 to +5.12 VDC

-10.24 to +10.24 VDC

-20 to +20 mA

### Resolution 12 Bits:

Unipolar 12 bits:

0 - 20 mA range = 5µA/step

0 - 5 VDC range = 1.25mV/step

0 - 10 VDC range = 2.5mV/step

Bipolar 11 bits plus sign:

-5 to +5 VDC range = 2.5mV/step

-10 to +10 VDC range = 5.0mV/step

-20 to +20 mA range = 10µA/step

**Isolation:** 1500 VDC channel-to-PLC

**Capacitance Drive:** 0.01 microfarad

### Load Resistance:

Voltage: 1KΩ minimum, no maximum

Current: 0Ω to 1KΩ max. @ 24 VDC or greater

### Accuracy:

Voltage mode: 0.125% of full scale from

0° to 60°C over total load range

Current mode: 0.225% of full scale from

0° to 60°C over total load range

### User Supply:

20 to 30 VDC @ 0.50 Amps max.

(maximum ripple of 0.4 V)

**⚠ Fuse:** 1A 250V FAST BLOW 5X20MM field replaceable Type Littelfuse #0217001.HXP

NOTE: Maximum load resistance for current output drops to 600Ω @ 20 VDC user supply

**Connector:** Removable

**Wire Gauge:** 14-22 AWG

**Backplane Power:** 1.7 Watts

**Module Size:** Single-wide

**Shipping Weight:** 1.5 lb (0.68 Kg)

### Additional Product Information:

On CTI's Website you find will links to the 2500 Series Standard Environmental Specifications and the UL Agency Certificates of Compliance .



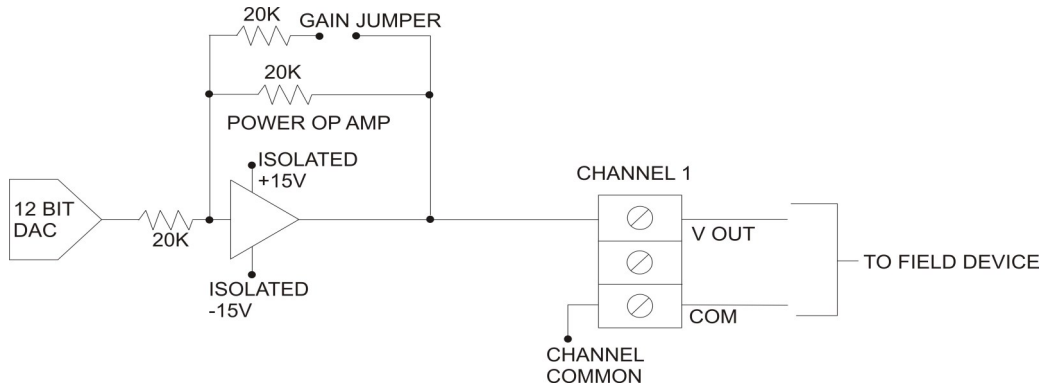
**Control Technology Inc.**

5734 Middlebrook Pike, Knoxville, TN 37921-5962

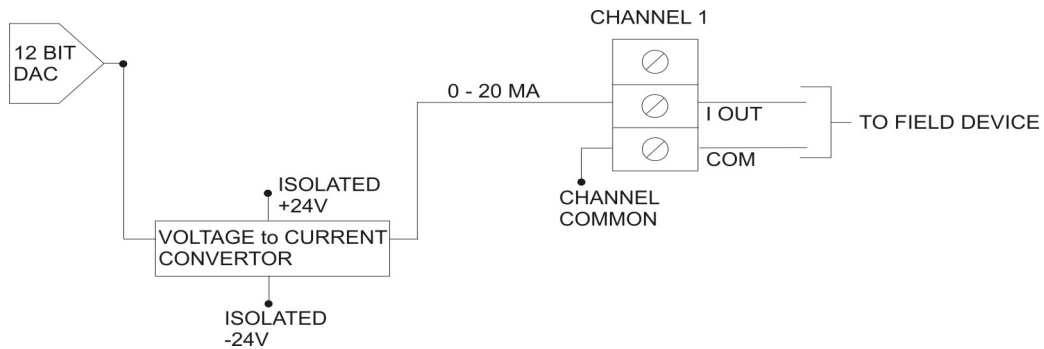
Phone: +1.865.584.0440 Fax: +1.865.584.5720

www.controltechnology.com

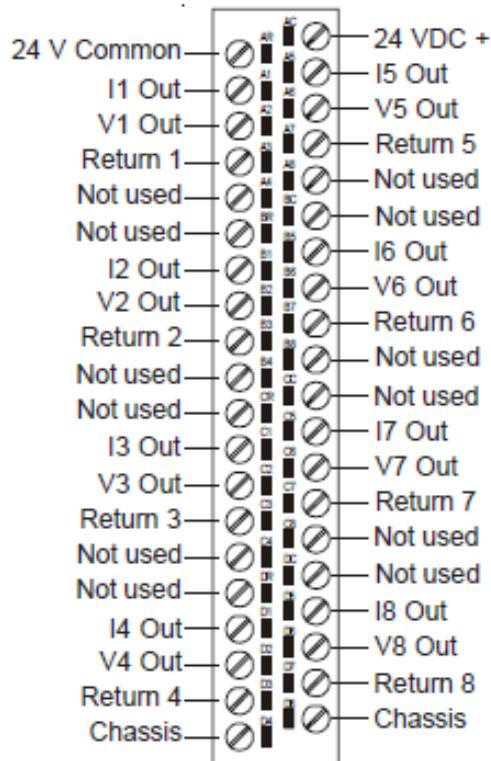
ROCK SOLID PERFORMANCE. TIMELESS COMPATIBILITY.



**Typical Internal Circuit—  
Voltage Mode**



**Typical Internal Circuit—  
Current Mode**



**2562 Wiring Connector**